

FREE-WAY SWITCH

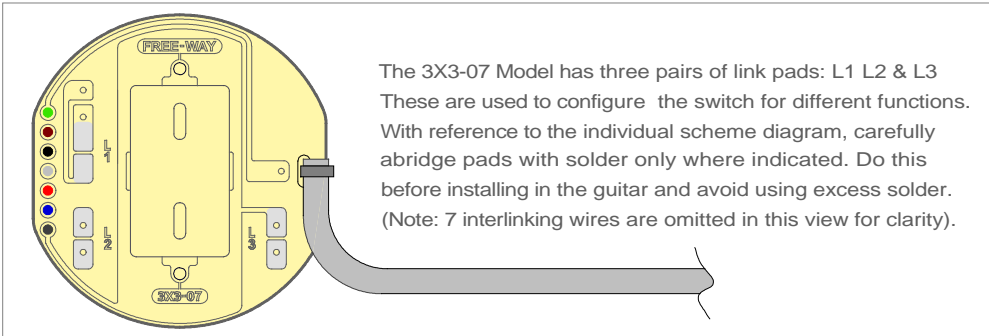
www.freewayswitch.com

MANUFACTURED IN ENGLAND BY NSF CONTROLS LTD

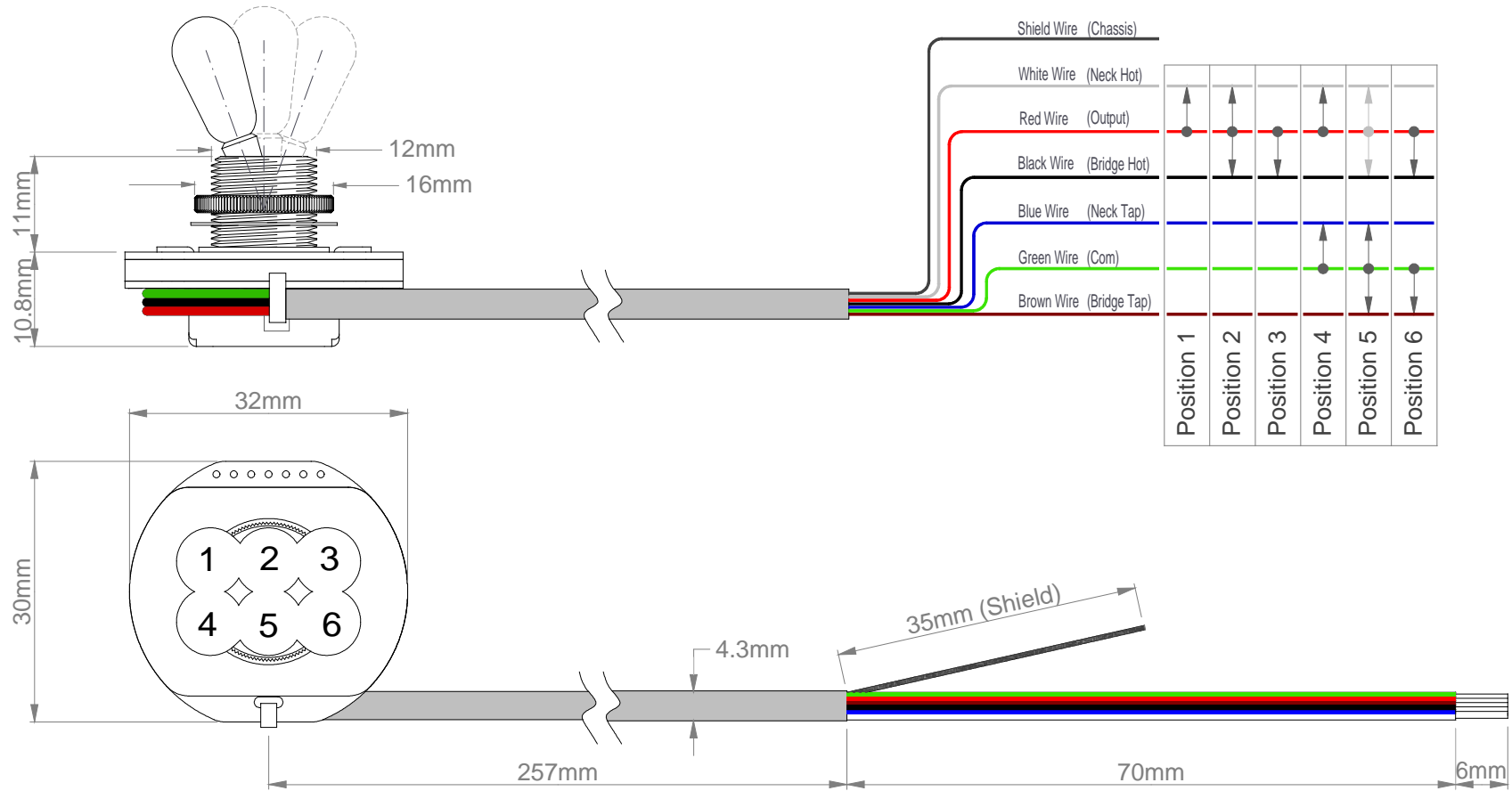
Last Updated Jul 2017

Note: Greyed connections in position 5 are only made when both L1 and L2 are closed.

Note: When L3 is closed, the shield wire is connected to the green wire in positions 1, 2 & 3.



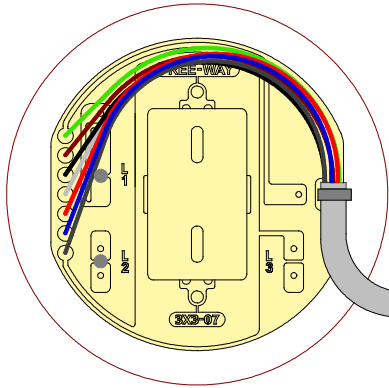
The 3X3-07 Model has three pairs of link pads: L1 L2 & L3. These are used to configure the switch for different functions. With reference to the individual scheme diagram, carefully abridge pads with solder only where indicated. Do this before installing in the guitar and avoid using excess solder. (Note: 7 interlinking wires are omitted in this view for clarity).



FREE-WAY SWITCH

www.freewayswitch.com

MANUFACTURED IN ENGLAND BY NSF CONTROLS LTD



Notes:-

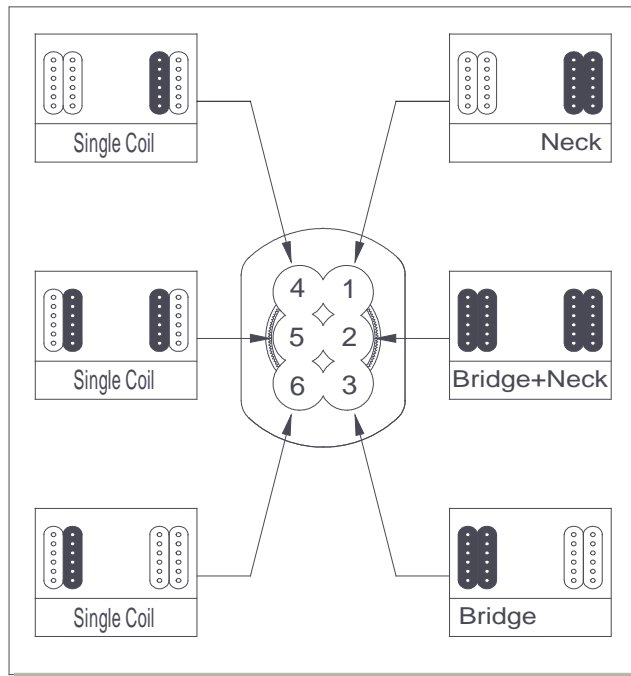
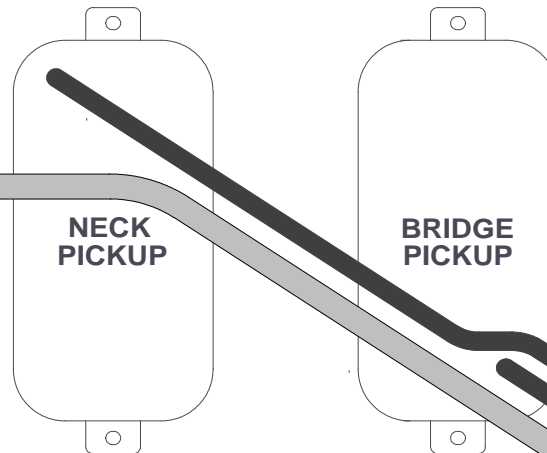
Positions 4, 5 & 6 voice the slug coils on normal humbuckers by grounding the coil link connections.

Wire to wire connections (marked *) should be soldered and then covered with insulation tape.

The pickup colour coding shown in this diagram does not represent any particular pickup manufacturer - please follow key.

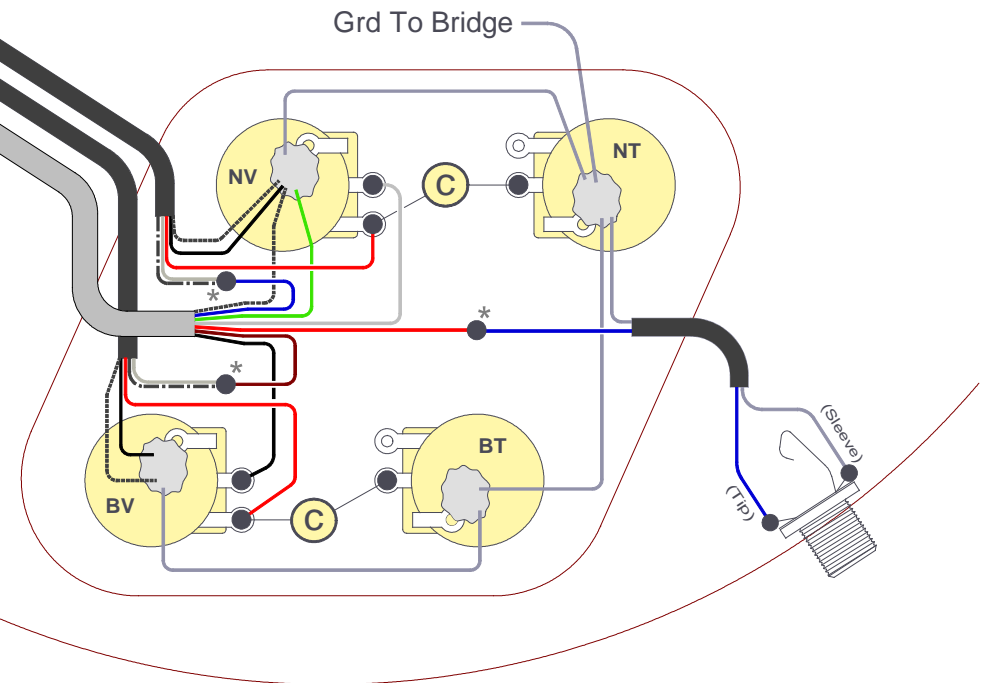
Before installing Switch:-

- Solder L1 Pads together
- Solder L2 Pads together
- Leave L3 unsoldered



HUMBUCKER COLOUR KEY

- NORTH Start wire ——— (Red)
- NORTH Finish wire ——— (Grey)
- SOUTH Finish wire - - - - - (Dashed)
- SOUTH Start wire ——— (Black)
- Shield / Screen - - - - - (Dotted)



Scheme No 181 : Last Updated March 2017

Model No:- 3X3-07

Free-Way Switch

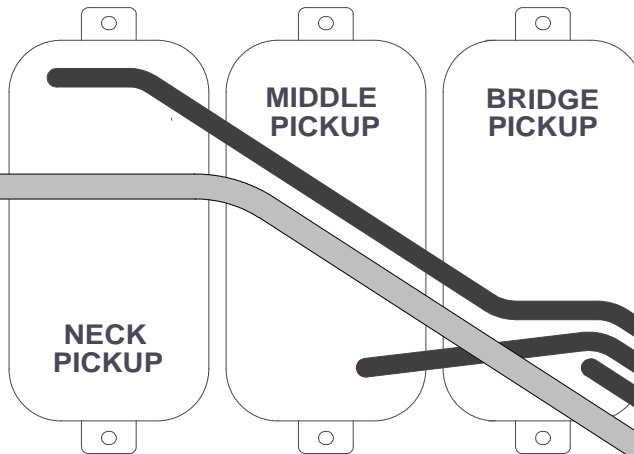
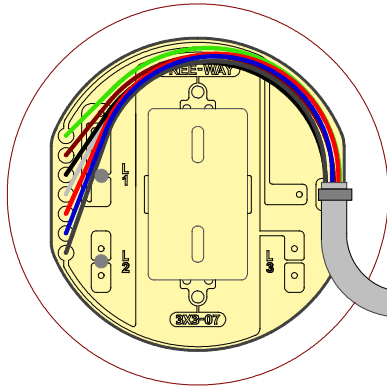


HH Coil Split 2V2T

FREE-WAY SWITCH

www.freewayswitch.com

MANUFACTURED IN ENGLAND BY NSF CONTROLS LTD



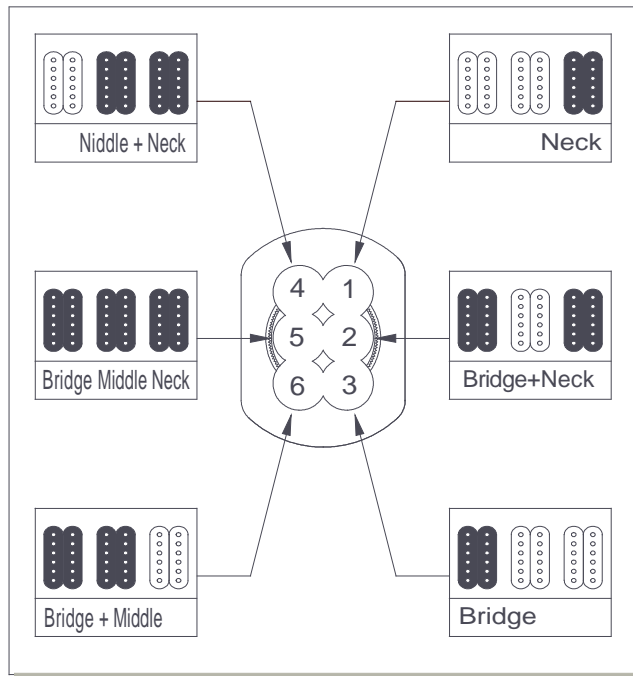
Notes:-

Positions 4, 5 & 6 combine the middle pickup which is added to neck or bridge vol/tone controls, according to switch position.

Wire to wire connections (marked *) should be soldered and then covered with insulation tape.

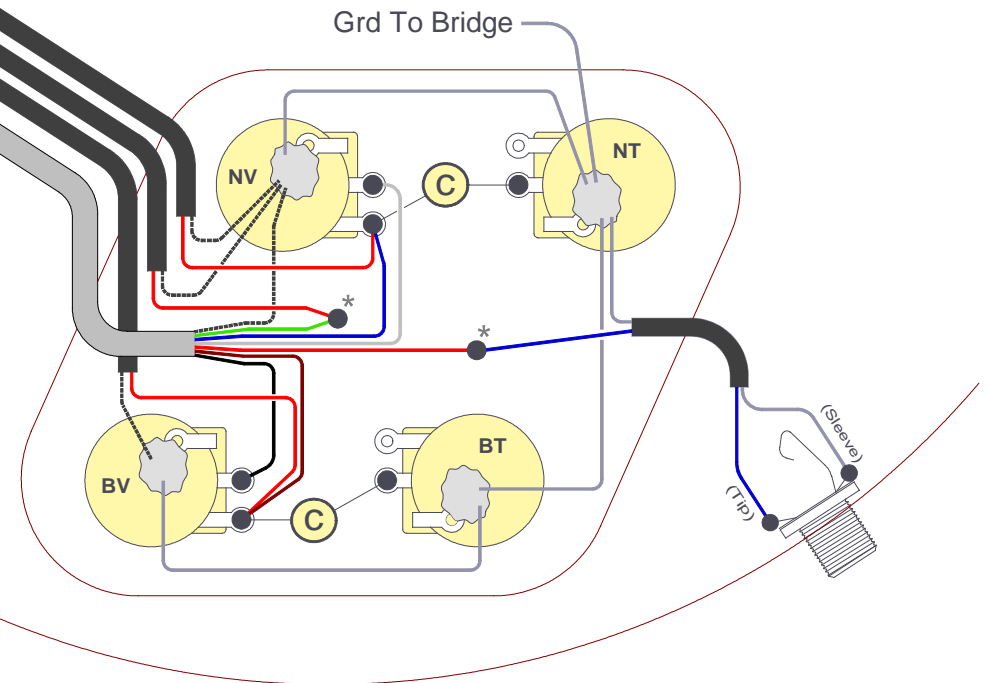
Before installing Switch:-

- Solder L1 Pads together
- Solder L2 Pads together
- Leave L3 unsoldered



HUMBUCKER COLOUR KEY

Hot	— (Red line)
Shield / Ground	— (Dotted line)



Scheme No 182 : Last Updated March 2017

Model No:- 3X3-07

Free-Way Switch

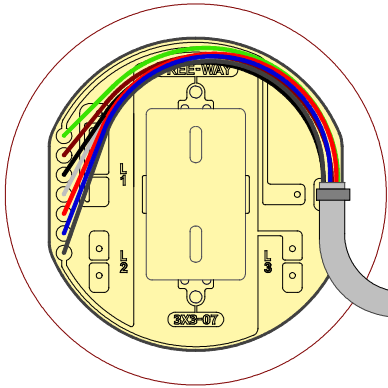


HHH Scheme 2V2T

FREE-WAY SWITCH

www.freewayswitch.com

MANUFACTURED IN ENGLAND BY NSF CONTROLS LTD



NECK PICKUP

MIDDLE PICKUP

BRIDGE PICKUP

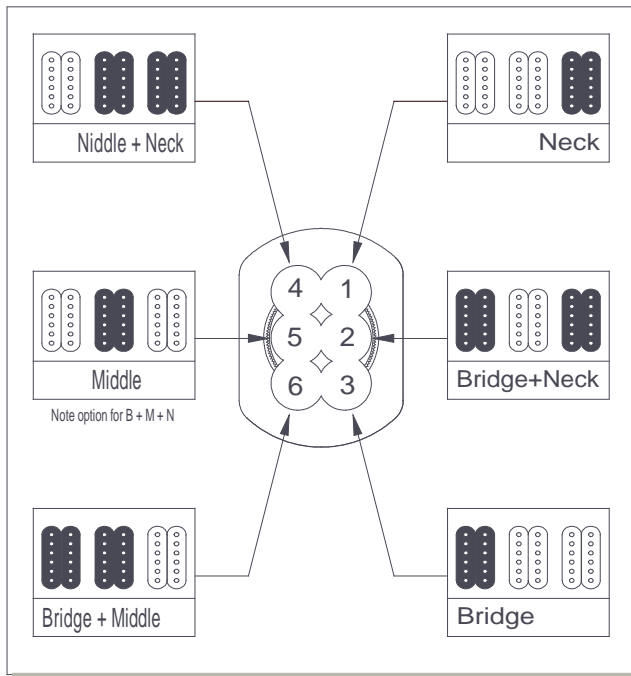
Notes:-

Each pickup has it's own volume (NV MV BV) together with a master tone control (T). MV is wired for independent volume, allowing mixing of the middle pickup in positions 4 & 6.

Wire to wire connections (marked *) should be soldered and then covered with insulation tape.

Leave L1 L2 L3 unsoldered

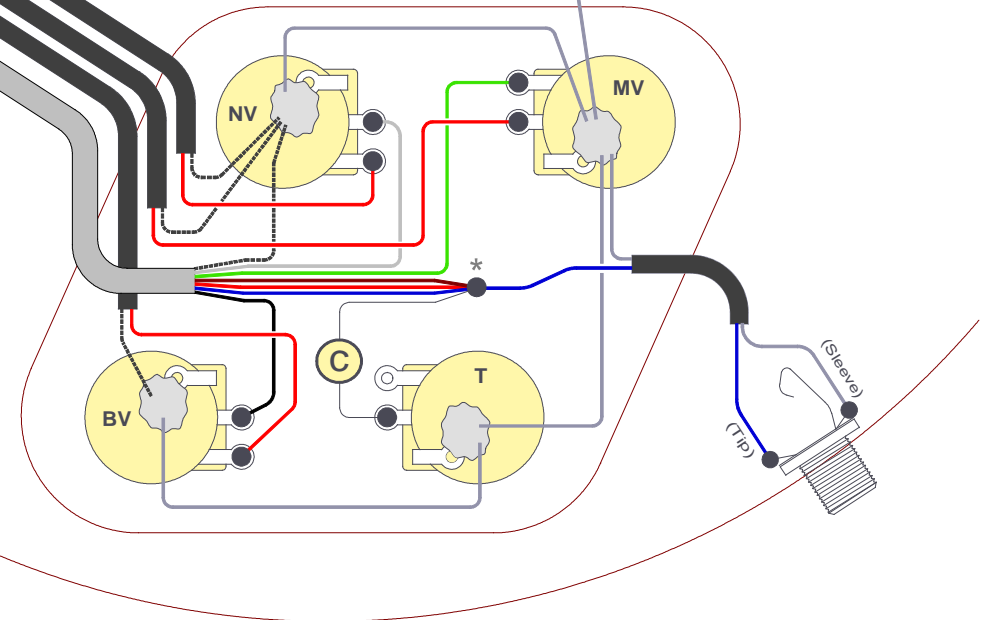
Optionally solder L1 pads together and solder L2 pads together for B + M + N in position 5



HUMBUCKER COLOUR KEY

Hot ————
Shield / Ground - - - - -

Grd To Bridge

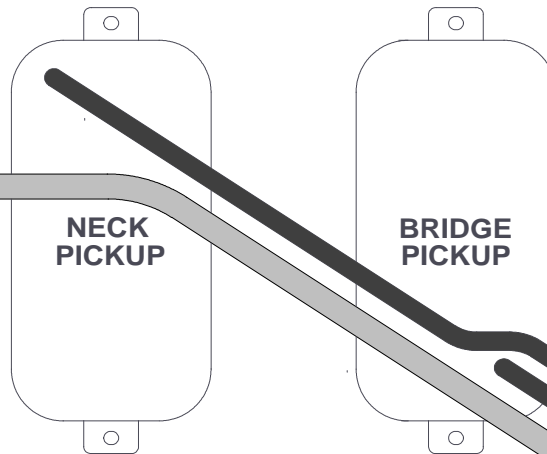
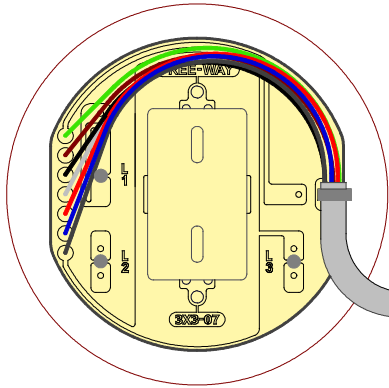


Scheme No 183 : Last Updated March 2017

FREE-WAY SWITCH

www.freewayswitch.com

MANUFACTURED IN ENGLAND BY NSF CONTROLS LTD



Notes:-

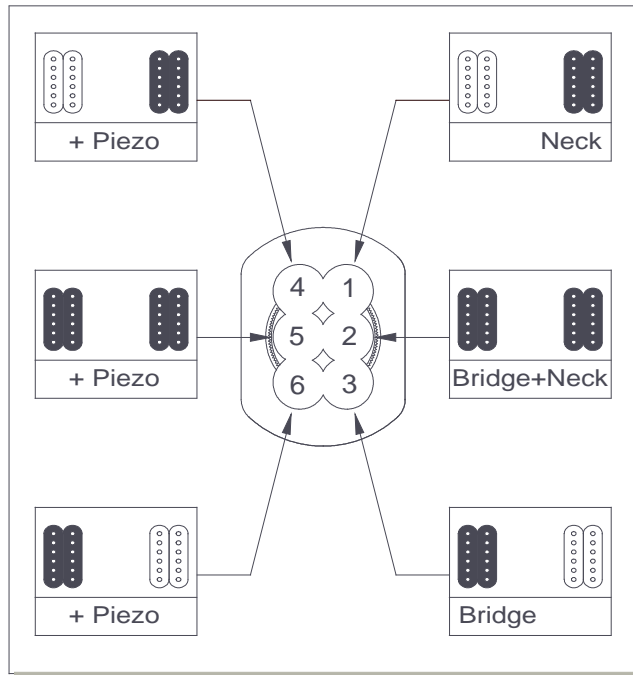
Positions 4, 5 & 6 voice the piezo and magnetic pickups. Piezo output is grounded in positions 1-3 via green wire from Free-Way.

Bare wires (marked *) should be covered with insulation tape.

Magnetic pickups shown with master tone (T) to allow piezo volume (PV). Install piezo in accordance with manufacturers instructions.

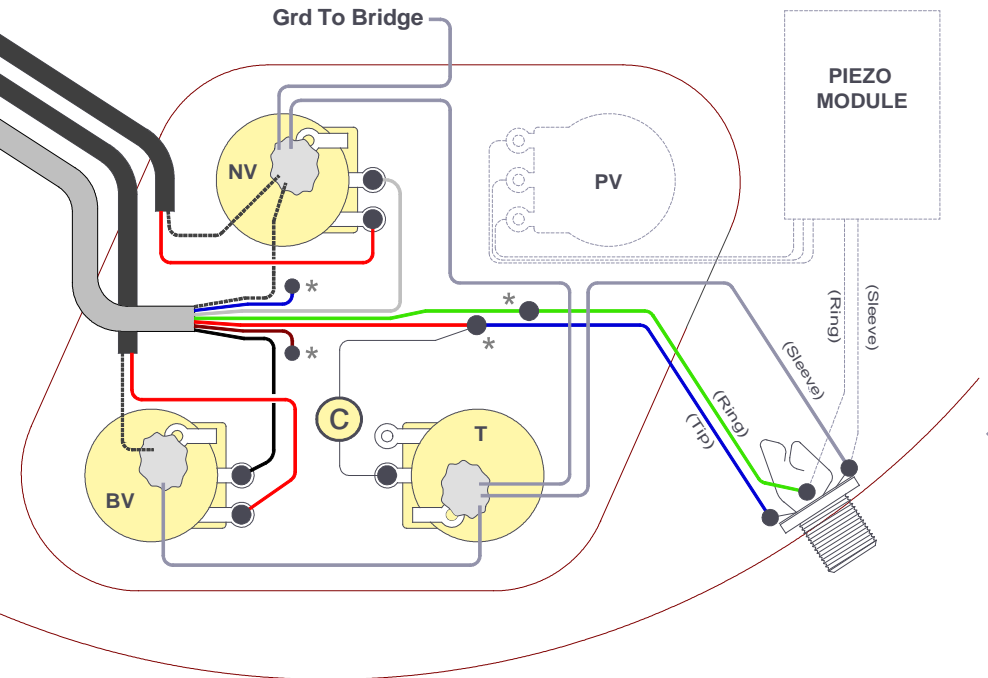
Before installing Switch:-

- Solder L1 Pads together
- Solder L2 Pads together
- Solder L3 Pads together



HUMBUCKER COLOUR KEY

- Hot ———— (Red line)
- Shield / Ground - - - - - (Dotted line)



Scheme No 184 : Last Updated March 2017