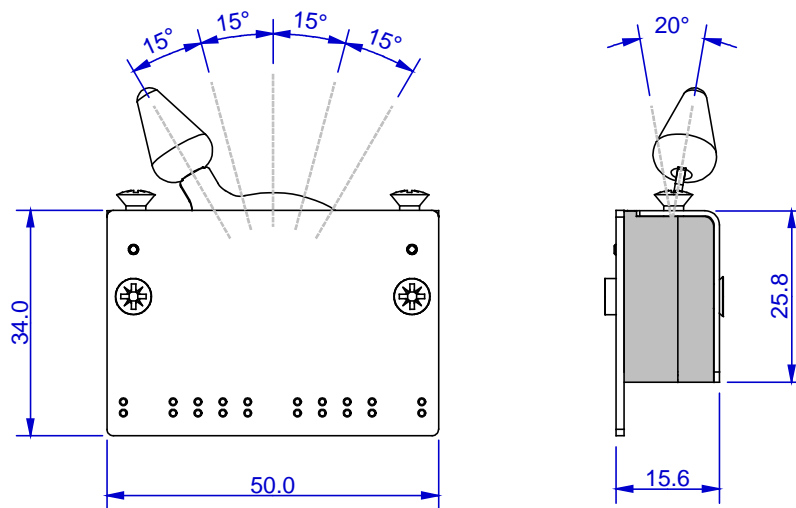
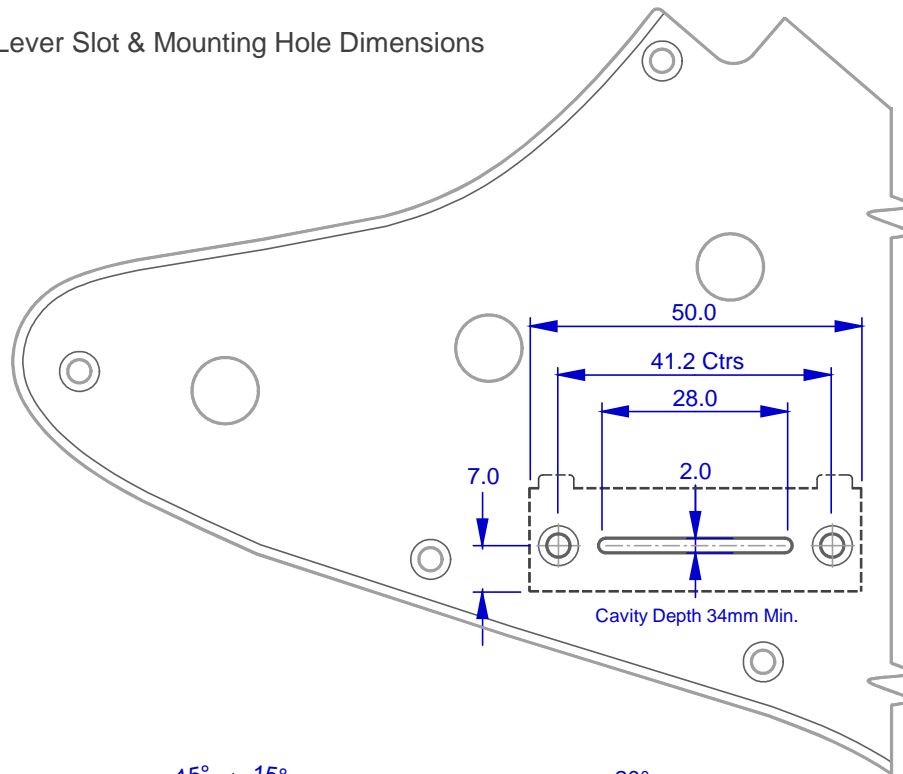


Lever Slot & Mounting Hole Dimensions



FREE-WAY SWITCH

www.freewayswitch.com

MANUFACTURED IN ENGLAND BY NSF CONTROLS LTD

Notes:-

Check that the Free-Way Blade Switch will fit - refer to dimensional information provided

Mounting Holes should be $\varnothing 3.5$ Csk (to suit M3 x 10mm Csk Screws provided)

Avoid using mounting screws which are any longer than the ones supplied

Mounting Hole Ctrs are tolerant to a range between 41.0 and 41.4mm

Minimum Lever Slot Dimensions to Pickguard: 28.0 x 2.0mm

A small chamfer may be added to the external edges of a narrower Lever slot to adapt it.

Pick Guard Thickness assumed to be 2.3mm

Switch Tip to suit 3.5mm x 1.0mm (0.138" x 0.039") lever stem.

Use 22 AWG Wire, strip insulation back 5mm, twist strands and locate into terminal holes.

Make any 'daisy-chain' links and locate these into one of the terminal hole pairs.

Solder using multi-core solder. Ensure solder joint is clean and flows about terminal pad.

Avoid excessive solder, avoid contacting any other part of the switch with the soldering iron.

The switch metalwork is stainless steel and can not be soldered, nor should this be attempted.

This guide requires and assumes proper competencies with regard to electrical and practical work, safety and the correct use of any equipment referenced here. Always take precautions to protect the guitar, yourself and others. Ensure that any associated products are installed in full accordance with the manufacturers instructions.

5B5 General Installation : Last Updated Jul 2018

© Free-Way 2018

Model No:- **5B5**

 **GOLD-MUSIC.IT**

General Installation Instructions